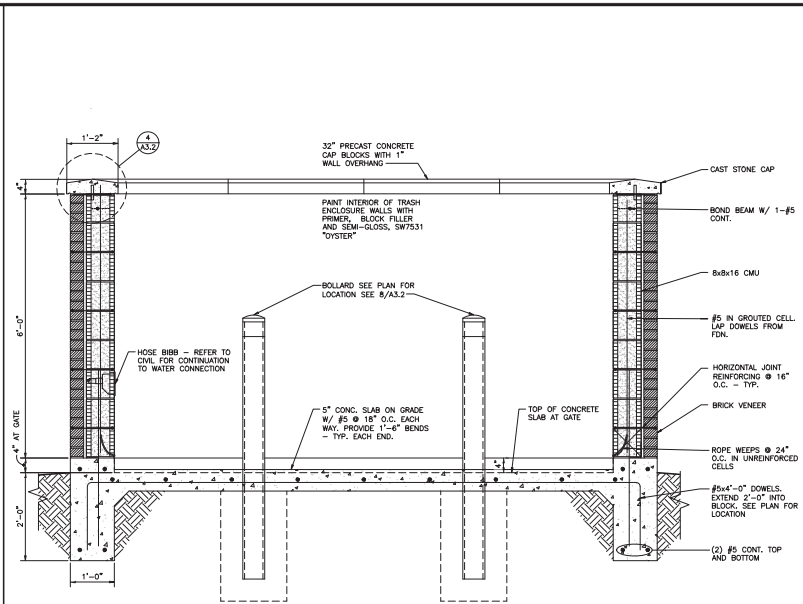
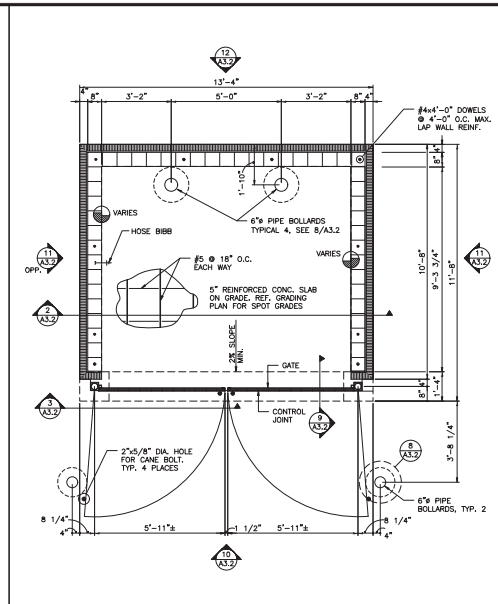


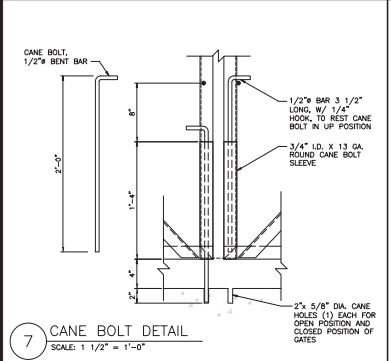
3 GATE ELEVATION - EXTERIOR FACE  
SCALE: 3/4" = 1'-0"



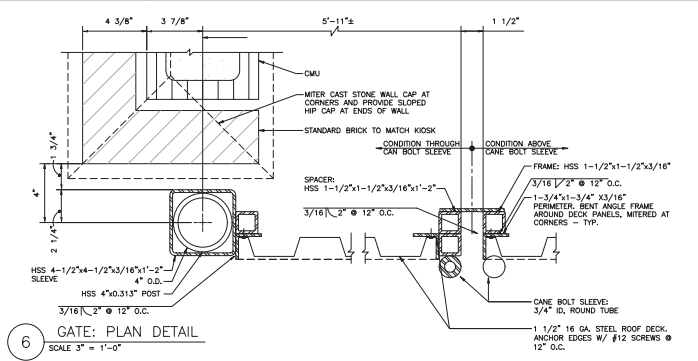
2 WALL & FOUNDATION SECTION - TYP.  
SCALE: 3/4" = 1'-0"



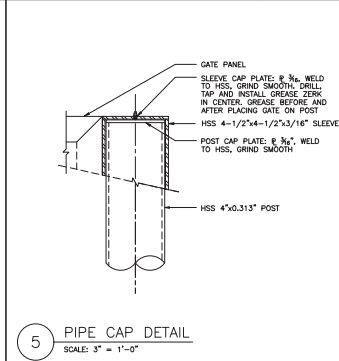
1 FOUNDATION PLAN  
SCALE: 3/8" = 1'-0"



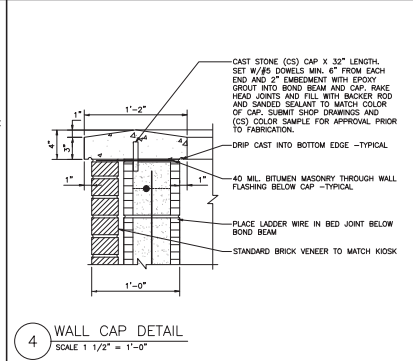
7 CANE BOLT DETAIL  
SCALE: 1 1/2" = 1'-0"



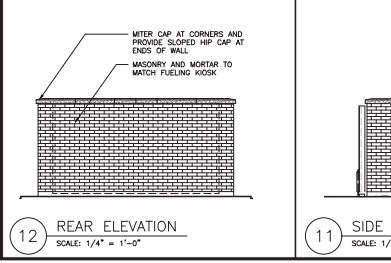
6 GATE: PLAN DETAIL  
SCALE: 3" = 1'-0"



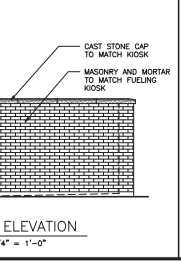
5 PIPE CAP DETAIL  
SCALE: 3" = 1'-0"



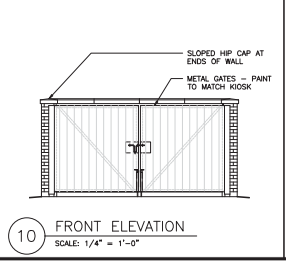
4 WALL CAP DETAIL  
SCALE: 1 1/2" = 1'-0"



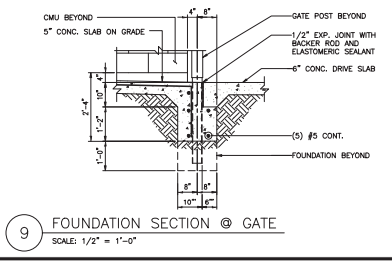
12 REAR ELEVATION  
SCALE: 1/4" = 1'-0"



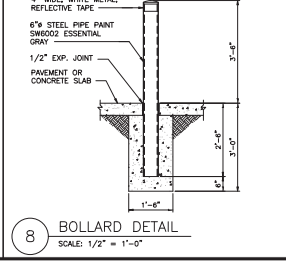
11 SIDE ELEVATION  
SCALE: 1/4" = 1'-0"



10 FRONT ELEVATION  
SCALE: 1/4" = 1'-0"



9 FOUNDATION SECTION @ GATE  
SCALE: 1/2" = 1'-0"



8 BOLLARD DETAIL  
SCALE: 1/2" = 1'-0"

Agenda Item #38

10-B-20-SU

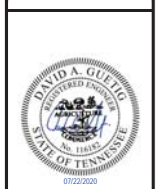
Revised: 10/6/2020

THIS DRAWING IS AND SHALL REMAIN THE PROPERTY OF THE KROGER COMPANY. REPRODUCTION OR ALTERATION OF THIS DRAWING WITHOUT THE EXPRESS WRITTEN PERMISSION OF THE KROGER COMPANY IS PROHIBITED.

NOTE TO CONTRACTOR:

THIS SET OF DRAWINGS AND DOCUMENTS IS INTENDED AS A SET OF GUIDELINES FOR THE PROJECT AND ARE INTENDED TO BE USED IN CONSULTATION WITH A SET OF CONSTRUCTION SPECIFICATIONS TO BE SUPPLIED BY OWNER. THEY MUST BE READ TO INCORPORATE ALL APPLICABLE FEDERAL, STATE, AND LOCAL CODES INCLUDING FEDERAL A.D.A. REQUIREMENTS. THIS SET ASSUMES THAT THERE ARE NO UNUSUAL SOIL CONDITIONS OR WIND LOADS. THE FAILURE OF THIS CONDITION MAY REQUIRE SIGNIFICANT CHANGES TO THESE DOCUMENTS.

IT IS THE RESPONSIBILITY OF THE GENERAL CONTRACTOR TO CONFORM TO ALL APPLICABLE CODES AND TO INFORM THE OWNERS/ARCHITECTS OF ANY QUESTIONS OR CLARIFICATIONS WHICH ARE DESIRED. CONTRACTORS SHALL ALSO VISIT THE SITE BEFORE BIDDING. CONTRACTORS ARE REQUIRED TO KNOW ALL OBSERVABLE CONDITIONS AND APPLICABLE CODES.



COPYRIGHT

THESE PLANS ARE AN INSTRUMENT OF SERVICE AND ARE THE PROPERTY OF GALLOWAY AND SHOULD NOT BE REPRODUCED, COPIED, OR REPRODUCTION WITHOUT THE WRITTEN CONSENT OF GALLOWAY. COPYRIGHTS AND INFRINGEMENTS WILL BE ENFORCED AND PENALTIES WILL BE IMPOSED.

Submitted (Return to) Owner  
Project No. 2020-0008  
Revision Date: 03/27/2020  
Author: [Name]



NO.	DESCRIPTION	DATE

Project #: U-698

Date: MARCH, 2020

Scale: FULL

Disk File: Krou0008\_A3.2-TRASH

Model: 5x1(GD)1RR Brick

Address: 5201 N. Broodway St. Knoxville, TN 37918

TRASH ENCLOSURE PLAN & DETAILS

Sheet: A3.2